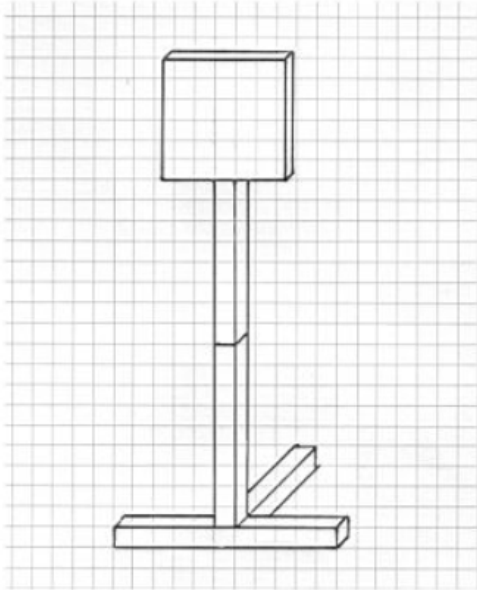
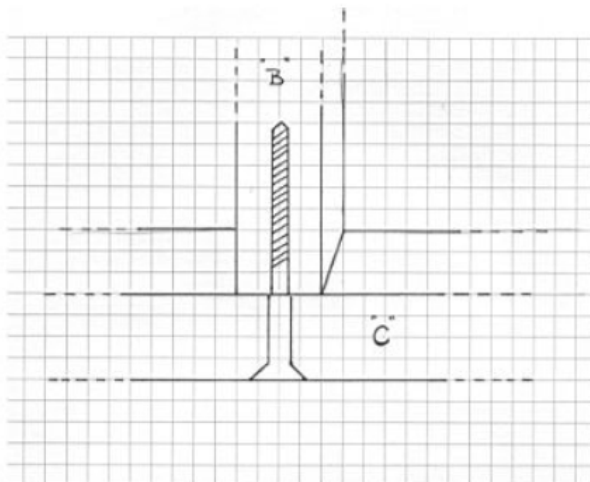


Do It Yourself wicket instructions

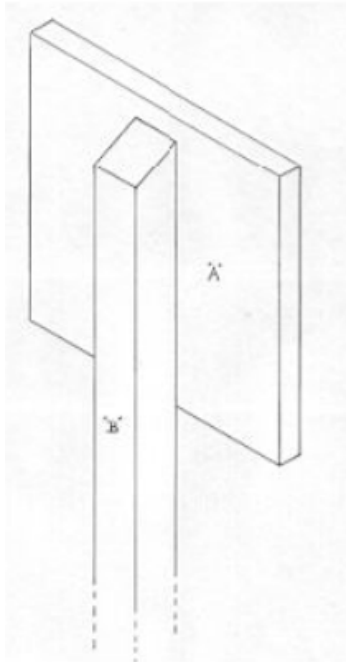


Cutting list for one stoolball wicket

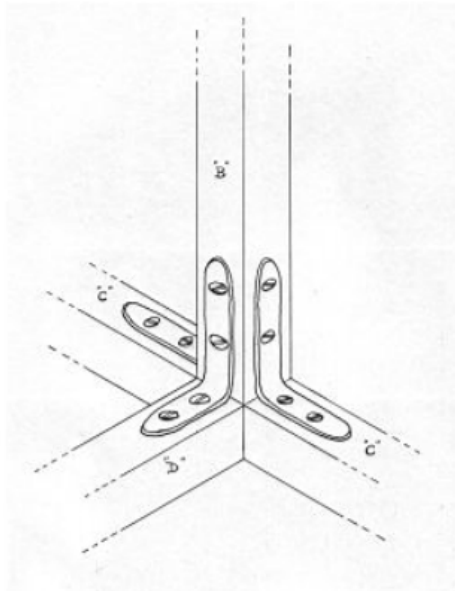
- Piece "A" - 12" x 12" x 1/2"
(solid wood or 1/2" ply)
- Piece "B" - 53" x 2" x 2"
- Piece "C" - 24" x 2" x 2"
- Piece "D" - 18" x 2" x 2"



Connect "C" to the bottom of "B" using a 6 in. screw or something similar.



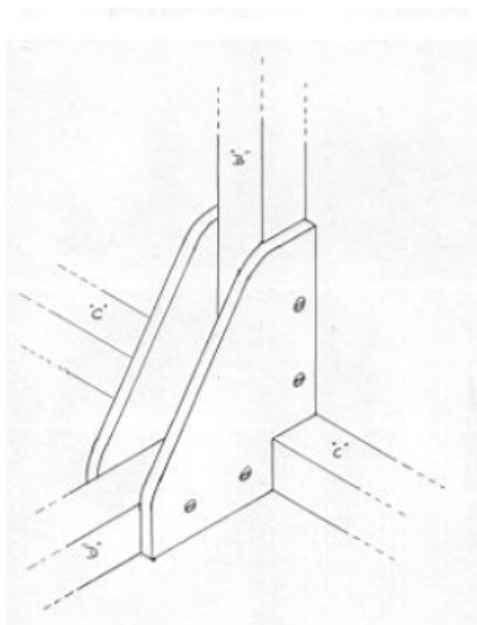
Connect "A" to the top of "B" with two 1 1/2 in. screws



Connect "D" to "B" & "C"

Method 1

Use shelf brackets at least 8 ins. long secured with at least 1 1/4 in. screws.



Connect "D" to "B" & "C"

Method 2

Use supports cut from plywood secured with at least 1 1/4 in. screws.